



Investors' Visit to ASEAN Sites – May 2015

Pack 3: NS BlueScope Lysaght Thailand

Teerachai Chansakul, Lysaght President

5 May 2015

Important Notice

THIS PRESENTATION IS NOT AND DOES NOT FORM PART OF ANY OFFER, INVITATION OR RECOMMENDATION IN RESPECT OF SECURITIES. ANY DECISION TO BUY OR SELL BLUESCOPE STEEL LIMITED SECURITIES OR OTHER PRODUCTS SHOULD BE MADE ONLY AFTER SEEKING APPROPRIATE FINANCIAL ADVICE. RELIANCE SHOULD NOT BE PLACED ON INFORMATION OR OPINIONS CONTAINED IN THIS PRESENTATION AND, SUBJECT ONLY TO ANY LEGAL OBLIGATION TO DO SO, BLUESCOPE STEEL DOES NOT ACCEPT ANY OBLIGATION TO CORRECT OR UPDATE THEM. THIS PRESENTATION DOES NOT TAKE INTO CONSIDERATION THE INVESTMENT OBJECTIVES, FINANCIAL SITUATION OR PARTICULAR NEEDS OF ANY PARTICULAR INVESTOR.

THIS PRESENTATION CONTAINS CERTAIN FORWARD-LOOKING STATEMENTS, WHICH CAN BE IDENTIFIED BY THE USE OF FORWARD-LOOKING TERMINOLOGY SUCH AS "MAY", "WILL", "SHOULD", "EXPECT", "INTEND", "ANTICIPATE", "ESTIMATE", "CONTINUE", "ASSUME" OR "FORECAST" OR THE NEGATIVE THEREOF OR COMPARABLE TERMINOLOGY. THESE FORWARD-LOOKING STATEMENTS INVOLVE KNOWN AND UNKNOWN RISKS, UNCERTAINTIES AND OTHER FACTORS WHICH MAY CAUSE OUR ACTUAL RESULTS, PERFORMANCE AND ACHIEVEMENTS, OR INDUSTRY RESULTS, TO BE MATERIALLY DIFFERENT FROM ANY FUTURE RESULTS, PERFORMANCES OR ACHIEVEMENTS, OR INDUSTRY RESULTS, EXPRESSED OR IMPLIED BY SUCH FORWARD-LOOKING STATEMENTS.

TO THE FULLEST EXTENT PERMITTED BY LAW, BLUESCOPE STEEL AND ITS AFFILIATES AND THEIR RESPECTIVE OFFICERS, DIRECTORS, EMPLOYEES AND AGENTS, ACCEPT NO RESPONSIBILITY FOR ANY INFORMATION PROVIDED IN THIS PRESENTATION, INCLUDING ANY FORWARD LOOKING INFORMATION, AND DISCLAIM ANY LIABILITY WHATSOEVER (INCLUDING FOR NEGLIGENCE) FOR ANY LOSS HOWSOEVER ARISING FROM ANY USE OF THIS PRESENTATION OR RELIANCE ON ANYTHING CONTAINED IN OR OMITTED FROM IT OR OTHERWISE ARISING IN CONNECTION WITH THIS.

NS BlueScope Lysaght footprint in Thailand



We are primarily a roll forming business specialising in the manufacture and supply of steel building products under key brands:

- **Lysaght:** steel roofing, wall cladding, structural floor decking , high strength purlins
- **SMARTRUSS® :** Roof trusses
- **SMARTFRAME :** House framing
- **RANBUILD:** Steel buildings, which are suitable for wide range of commercial, industrial, residential, and urban facilities etc.

GROWING TOGETHER IN THAILAND 1988 - 2014



Products



Roof and Walls

Building Solutions



Industrial and Commercial Profiles

Architectural Profiles

Roof Structure

- CEE&ZED PURLIN

Floor Decking

- W-DECK®

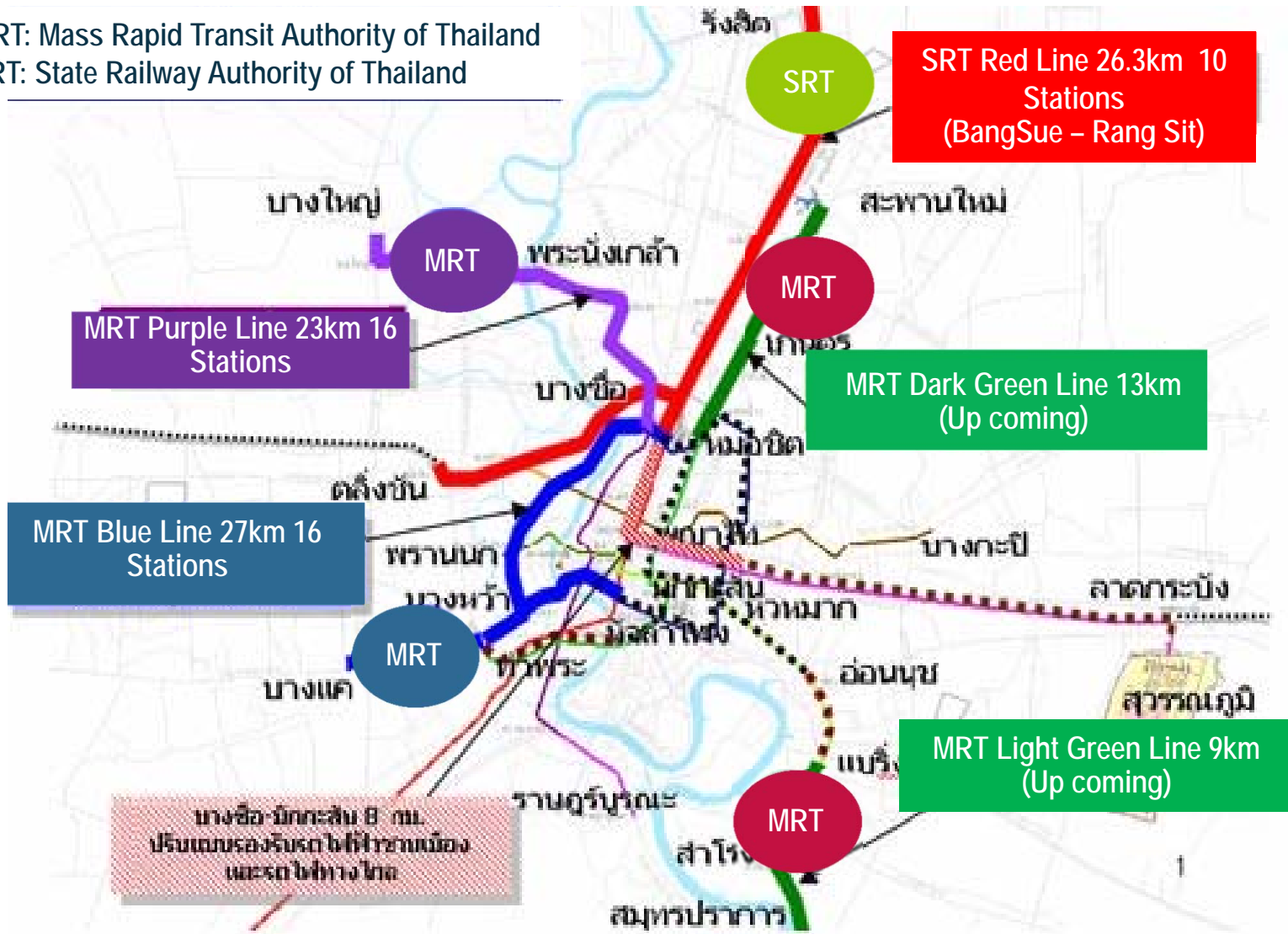


Lysaght involvement in key Government projects since 2008

Project	Roof area ('000 sqm)	Start	Finish
MRT Purple Line – Stations	60.7	Jan-13	Apr-15
MRT Purple Line – Depot	60.5	Mar-14	May-15
MRT Blue Line – Station	61.4	Jan-15	Dec-16
MRT Blue Line – Depot	45.8	Jul-14	Dec-15
SRT Red Line – Station	28.8	Jun-15	Jun-16
SRT Red Line – Depot	55.5	Mar-15	Dec-18
Total	312.7		

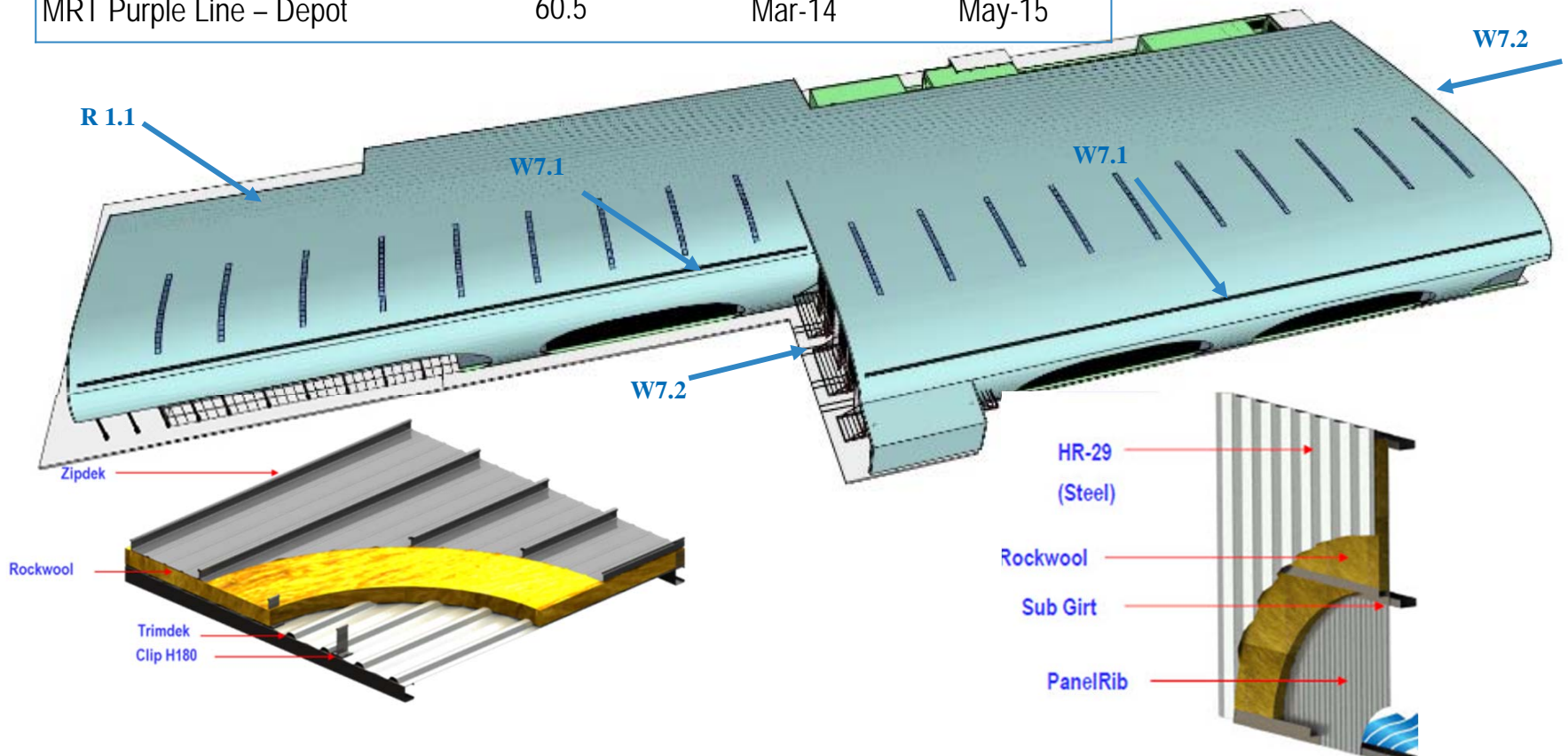
Overview of mass transit system in Bangkok and surrounds

MRT: Mass Rapid Transit Authority of Thailand
SRT: State Railway Authority of Thailand



MRT Purple Line project

Project	Roof area ('000 sqm)	Start	Finish
MRT Purple Line – Stations	60.7	Jan-13	Apr-15
MRT Purple Line – Depot	60.5	Mar-14	May-15



Components of R 1.1 & W7.1:

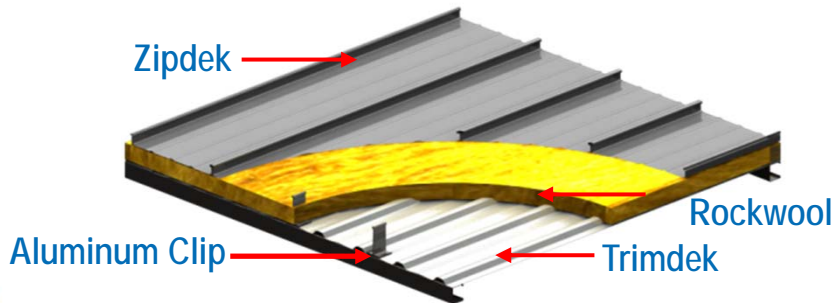
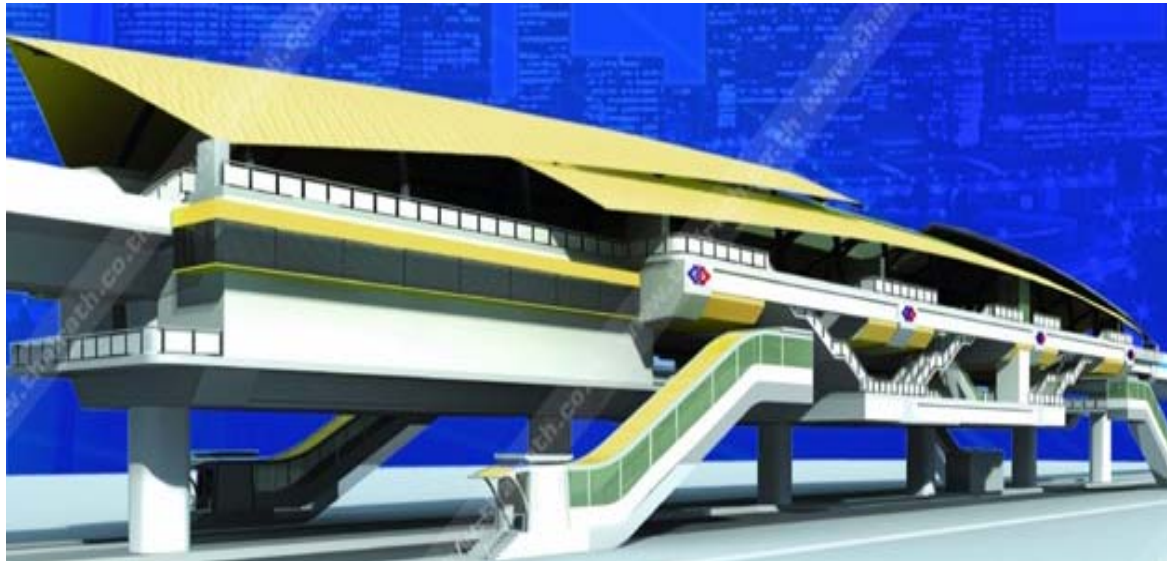
- Top roof : Zipdek 380, Alu Thickness 0.90 mm.Thk, PVDF Coating
- Insulation : Rock wool 60 K ,Thickness 50 mm., Foil one side
- Substrate : Trimdek 760, Steel Thickness 0.55 mm, Colorbond XRW

Components of W7.2:

- Top roof : HR-29, Steel Thickness 0.53 mm.Thk, PVDF Coating
- Insulation : Rock wool 60 K ,Thickness 50 mm, Foil one side
- Substrate : Trimdek 760, Steel Thickness 0.56 mm, Colorbond XRW

MRT Blue Line

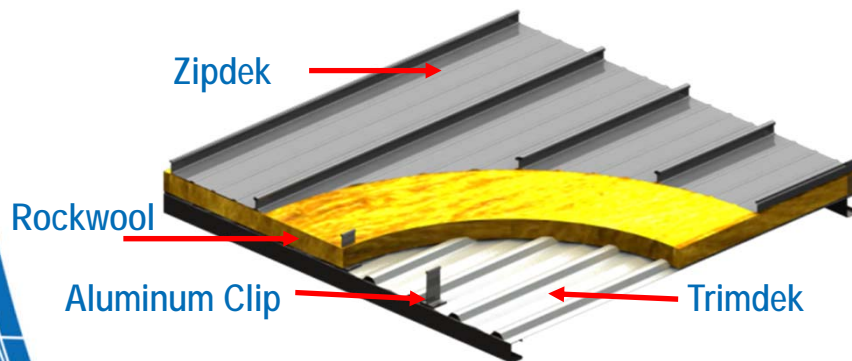
Project	Roof area ('000 sqm)	Start	Finish
MRT Blue Line – Station	61.4	Jan-15	Dec-16
MRT Blue Line – Depot	45.8	Jul-14	Dec-15



- Components**
- Top Roof Panel : Zipdek 380 Smooth Curve , Steel 0.63 mm Thk. PVDF Coating
 - Insulation : Rockwool 100 mm Thk. Density 60 K. Foil 1 Side
 - Substrate : Trimdek 760 Crimp Curve ,Steel 0.63 mm Thk. XRW Colorbond

SRT Red Line

Project	Roof area ('000 sqm)	Start	Finish
SRT Red Line – Station	28.8	Jun-15	Jun-16
SRT Red Line – Depot	55.5	Mar-15	Dec-18



Components

- Top Roof Panel : Zipdek 380 Smooth Curve, Aluminum 0.90 mm Thk. PVDF Coating
- Insulation : Rockwool 100 mm Thk. Density 60 K. Foil 1 Side
- Substrate : Trimdek 760 Crimp Curve ,Steel 0.50 mm Thk. XRW Colorbond



Investors' Visit to ASEAN Sites – May 2015

Pack 3: NS BlueScope Lysaght Thailand

Teerachai Chansakul, Lysaght President

5 May 2015